

*Ixtisoslashgan maktablarga kiruvchi o‘quvchilar uchun*

## TEST SAVOLLAR KITOBI

**DIQQAT!**

Test topshiriqlarini yechishdan avval savollar kitobini, varaqlab unda 40 ta savol mavjudligini tekshiring. Agar savollar soni kamligi aniqlansa darhol kuzatuvchiga ma'lum qiling.

FANLAR:  
Blok1: Matematika  
Blok2: Fizika  
Blok3: Ingliz tili

**Toshkent 2022-y**

1. Quyidagi tasdiqlarning to'g'ri yoki noto'g'ri ekanligi ketma-ketligini to'g'ri keltirilgan javob variantini aniqlang.

?	Tasdiqlar	ha	yo'q
1	3 ga bo'linadigan barcha sonlar 9 ga ham bo'linadi		
2	3 ga bo'linadigan barcha juft sonlar 6 ga ham bo'linadi		
3	25 ga bo'linadigan barcha sonlar 125 ga ham bo'linadi		
4	7 ga bo'linadigan barcha juft sonlar 14 ga ham bo'linadi		

- (a) 1-yo'q, 2-ha, 3-yo'q, 4-ha  
 (b) 1-ha, 2-ha, 3-ha, 4-yo'q  
 (c) 1-ha, 2-yo'q, 3-yo'q, 4-ha  
 (d) 1-yo'q, 2-ha, 3-ha, 4-yo'q
2. 500 dan kichik bo'lgan nechta uch xonali natural son o'nli yozuvida 3 raqami qatnashmaydi?  
 (a) 297  
 (b) 280  
 (c) 296  
 (d) 292
3. Kitob varaqlari quyidagicha raqamlangan 3, 4, 5, 6, 7... va hokazo. Bu kitobda 1 raqami 32 marta takrorlanadi. Kitob eng ko'pi bilan necha betdan iborat bo'lishi mumkin?  
 (a) 110  
 (b) 108  
 (c) 119  
 (d) 191
4.  $a - b = 0$  bo'lsa,  $\frac{8a-3b}{5a+b}$  ifoda qiymatini toping.  
 (a) 0,8(3)  
 (b) 0,833b  
 (c) 0,833a  
 (d) 0,833

5. Besh bo'g'inli siniq chiziq birinchi bo'g'inini uzunligi  $b$  cm ga teng. Uning ikkinchi bo'g'inidan boshlab har bir bo'g'inini oldingisidan 3 cm uzunligi ma'lum bo'lsa, bu siniq chiziq uzunligini toping.

- (a)  $(5b + 120)$  cm  
 (b)  $(5b + 30)$  cm  
 (c)  $(4b + 30)$  cm  
 (d)  $(5b + 15)$  cm

6.  $a$  raqamining qanday qiymatlarida  $\overline{23a562}$  son 9 ga bo'linadi?

- (a) 0; 9  
 (b) 9  
 (c) 0  
 (d) 1

7. Barcha ikki xonali sonlar ichida 15 bilan o'zaro tublari nechta?

- (a) 46  
 (b) 44  
 (c) 42  
 (d) 48

8.  $a = \frac{2}{19} + \frac{2}{11} + \frac{2}{9}$  va  $b = \frac{14}{19} + \frac{6}{11} + \frac{4}{9}$  bo'lsa,  $b$  ni  $a$  orqali ifodalang.

- (a)  $b = 2,5a + 3$   
 (b)  $b = 3 - 2,5a$   
 (c)  $b = 3 - 5a$   
 (d)  $b = 2,5a - 3$

9. Uchta yashikda olmalar bor. Dastlab birinchi yashikdan ikkinchi yashikga  $3\frac{1}{4}$  kg olma solindi. Keyin uchinchi yashikdan birinchi yashikga  $4\frac{3}{5}$  kg olma solindi. Shundan so'ng har bir yashikda  $20\frac{1}{2}$  kg dan olma bo'ldi. Dastlab har bir yashikda necha kg dan olma bo'lgan?

- (a) I - 17,15; II - 16,25; III - 25,15  
 (b) I - 19,15; II - 17,25; III - 25,1  
 (c) I - 17,15; II - 19,25; III - 25,1  
 (d) I - 17,15; II - 17,25; III - 25,15

10.  $m$  ning qanday qiymatlarida  $|2m + 6| = -2m - 6$  tenglik o'rinli bo'ladi?

- (a)  $m \leq -3$   
 (b)  $m$  ning barcha qiymatlarida.  
 (c)  $m$  ning hech bir qiymatida.  
 (d)  $m \geq -3$

11. Quyidagi sonlarni o'sib borish tartibida ifodalang:

$$a = 2, (45)b = 2, 4(45)c = 2, 45(4)d = 2, (455)$$

- (a)  $b < c < d < a$
- (b)  $b < a = c < d$
- (c)  $b < c < a < d$
- (d)  $c < b < a < d$

12. Tenglamani yeching:

$$3 - \frac{3}{2 - \frac{1}{x}} = 0$$

- (a) -1
- (b) 3
- (c) 1
- (d) 0,5

13.  $ABC$  uchburchakda  $AK$  va  $CD$  balandliklar o'tkazilgan.  $AB=20$ cm,  $BC=18$  cm va  $CD=14,4$  cm bo'lsa,  $AK$  balandlik uzunligi necha cm bo'lishini aniqlang.

- (a) 15
- (b) 16
- (c) 16,6
- (d) 15,4

14. A dan B ga 4 xil usulda, A dan C ga 2 xil usulda, B dan D ga 3 xil usulda va C dan D ga 5 xil usulda borish mumkin bo'lsa, A dan D ga necha usulda borish mumkin?

- (a) 23
- (b) 21
- (c) 22
- (d) 24

15. To'g'ri to'rtburchak eni 3,5 marta ortib bo'yi 2,8 marta ortsa, uning yuzi qanday o'zgaradi?

- (a)  $1\frac{1}{4}$  marta ortadi
- (b) 1,25 marta kamayadi
- (c)  $1\frac{1}{7}$  marta kamayadi.
- (d)  $1\frac{1}{7}$  marta ortadi

16. 2756 dan 125% katta sonni toping.

- (a) 3445
- (b) 6201
- (c) 3472,56
- (d) 6890

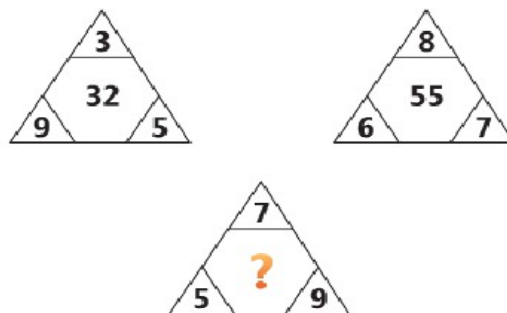
17. To'g'ri burchakli parallelepiped qirralari uzunliklari 1,2 dm; 1,5 dm va 2,2 dm bo'lsa, uning to'la sirti necha  $dm^2$  bo'lishini aniqlang.

- (a) 15,48
- (b) 7,74
- (c) 16,48
- (d) 20

18. Poyezd 340 km ni 4 soat-u 15 minutda bosib o'tdi. Uning tezligini toping.

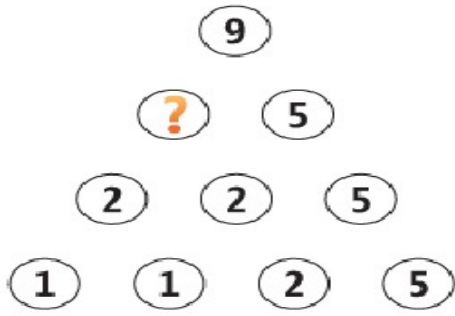
- (a) 100 km/h
- (b) 90 km/h
- (c) 75 km/h
- (d) 80 km/h

19. .



- (a) 44
- (b) 31
- (c) 40
- (d) 19

20. .



- (a) 1
- (b) 2
- (c) 4
- (d) 3

21. Suyuqlik yoki gazlarda bosimni o'lchovchi qurilmaning nomini toping.

- (a) Manometr
- (b) Dinamometr
- (c) Ampermetr
- (d) Barometr

22. Berilgan formulalar ichidan zichlikni hisoblash formulasini belgilang.

- (a)  $A = F \cdot s$
- (b)  $\rho = \frac{m}{V}$
- (c)  $p = \frac{F}{S}$
- (d)  $F = m \cdot g$

23. Atmosfera bosimining son qiymatlari to'g'ri berilgan javoblarni belgilang.

- a. 760 Pa
  - b. 101325 Pa
  - c. 760 mm.Hg
  - d. 101325 mm.Hg
  - e. 133,3 Pa
- (a) b, c, e
  - (b) b, c
  - (c) a, b, d
  - (d) c, d, e

24. Barometr dengiz sathidan 300 metr balandlikdagi joyga o'rnatilgan. Barometrning ko'rsatishini aniqlang. Dengiz sathida normal atmosfera bosimi 760 mm.Hg

- (a) 760 mm.Hg
- (b) 785 mm.Hg
- (c) 735 mm.Hg
- (d) 300 mm.Hg

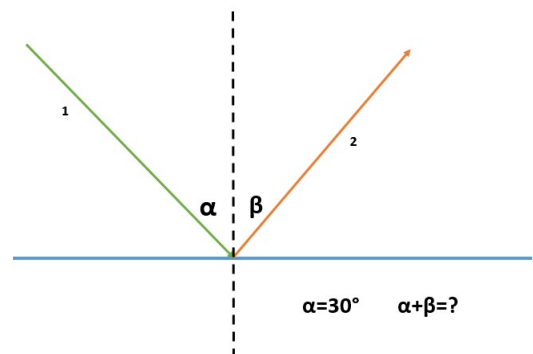
25. Massasi 100 kg bo'lgan kvadrat shaklidagi marmar plitaning tomoni 2 metrga teng. Plitaning yerga berayotgan bosimini hisoblang.  $g=10$  N/kg

- (a) 250 Pa
- (b) 50 Pa
- (c) 500 Pa
- (d) 25 Pa

26. Balandligi 12 cm ga teng bo'lgan stakan suv bilan to'ldirilgan. Stakan asosining yuzi  $1 \text{ cm}^2$  ga teng. Suvning stakan tubiga berayotgan bosimini hisoblang.  $\rho_{suv} = 1000 \frac{\text{kg}}{\text{m}^3}$ ,  $g=10$  N/kg

- (a) 120000 Pa
- (b) 1200 Pa
- (c) 12000 Pa
- (d) 120 Pa

27. Rasmdagi ma'lumotlardan foydalanib, rasmda so'ralganlarni toping.

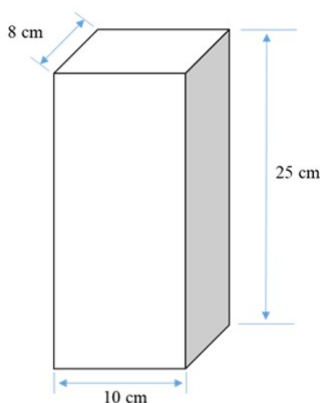


- (a)  $0^\circ$
- (b)  $15^\circ$
- (c)  $60^\circ$
- (d)  $30^\circ$

28. Qayiq ko'lda harakatlanmoqda. Qayiq manzilga borishda 18 km/h tezlik bilan harakatlandi, qaytishda esa 6 m/s tezlik bilan harakatlandi. Agar manzilga borib qaytishda qayiq jami 2 km masofani bosib o'tgan bo'lsa, manzilga borish uchun qancha vaqt sarflagan?

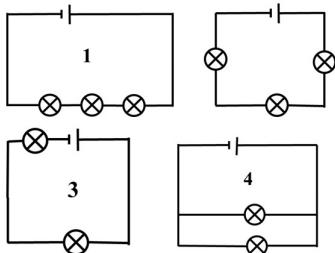
- (a) 200 s
- (b) 400 s
- (c) 55,5 s
- (d) 111,1 s

29. Rasmda ko'rsatilgan predmetning massasi 15,6 kg ga teng bo'lsa, uning zichligini aniqlang.



- (a)  $31200 \frac{kg}{m^3}$
- (b)  $7,8 \frac{kg}{m^3}$
- (c)  $31,2 \frac{kg}{m^3}$
- (d)  $7800 \frac{kg}{m^3}$

30. Quyidagi lampochkalardan qaysi biri ketma-ket ulanmagan?



- (a) 3
- (b) 1
- (c) 2
- (d) 4

31. Read the text and answer the questions.

Dinner in the Sky is for people who want more than a little excitement when they go out to eat. They sit at a huge table which hangs from a crane fifty meters in the air. It's not a good idea for people who are afraid of heights or for those who don't have much money. Don't bring along anybody if you don't know his feelings about heights. It costs ?10,000. The twenty-two diners wear seat belts and relax and enjoy the views while the chefs prepare the finest food in front of them. The restaurant opened in Belgium in 2006, but now has branches in Paris, Dubai, Florida, and Las Vegas. David Ghysels, the Belgian organizer says, 'We realized that people were bored with going to the same old restaurants. They wanted to try something different. The sky's the limit with us!'

The crane is checked carefully before every sitting. The table is 9m x 5m and weighs six tonnes. In the centre there is a sunken platform for the chef and two waiters. The food is delicious, but most guests don't feel like eating until after a few drinks! Then they also get the courage to look down at the ground where tiny people are looking up in amazement and waving.

Dinner in the Sky is very exciting and the food is good, but there are problems. For example, even in quiet weather conversation is difficult because of the wind. Guests shout to each other across the table. Also, the toilet. You can't go to the toilet until the table descends again. Difficult for some! But later, back on earth, after a visit to the toilet, the guests have a great experience to talk about.

Choose the right synonym to "carefully".

- (a) care
- (b) attentively
- (c) full
- (d) finally

32. Choose the right antonym to "difficult".

- (a) challenging
- (b) effortless
- (c) funny
- (d) hard

33. Choose the correct definition to the phrasal verb given below. "bring along"
- to tell the secret
  - to take someone or something with you
  - to bring presents
  - to call somebody to the park
34. Choose the sentence with the Modal verb.
- You can't go to the toilet until the table descends again.
  - The table is 9m x 5m and weighs six tonnes.
  - Dinner in the Sky is very exciting and the food is good.
  - The sky's the limit with us! '
35. Find the answer to the definition below.  
"(the process of getting) Knowledge or skill from doing, seeing, or feeling things."
- crane
  - experience
  - conversation
  - tiny
36. Complete the statement with the correct conjunction according to the meaning.  
The Guests shout to each other across the table with the wind.
- or
  - then
  - because of
  - so
37. Find only True statements.
- There is a comfortable toilet in the restaurant in the sky.
  - Guests shout to each other across the table.
  - They sit at a huge table which hangs from a crane fifty meters in the air.
  - The dinner table is for twenty- two guests.
  - Nobody checks the crane carefully before every sitting.
- 1, 4, 5
  - 2, 1, 4
  - 2, 3, 4
  - 3, 4, 5
38. Read the text and choose the right answer to the question.  
'Why do people shout to each other around the table?'
- People aren't comfortable around the table.
  - People sit in a long distance from each other.
  - Because they are not polite.
  - Because they can't hear each other when it's windy.
39. Read the text and choose the right answer to the question.  
"Where is the place for chef in the restaurant?"
- There is not any places for cooking.
  - It is behind the table.
  - There is a special room.
  - It is in the centre of the table.
40. Choose the answer with the adverb.
- Dinner in the Sky is very exciting and the food is good.
  - The crane is checked carefully before every sitting.
  - The food is delicious.
  - They wanted to try something different.